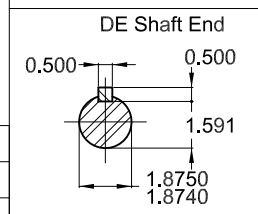
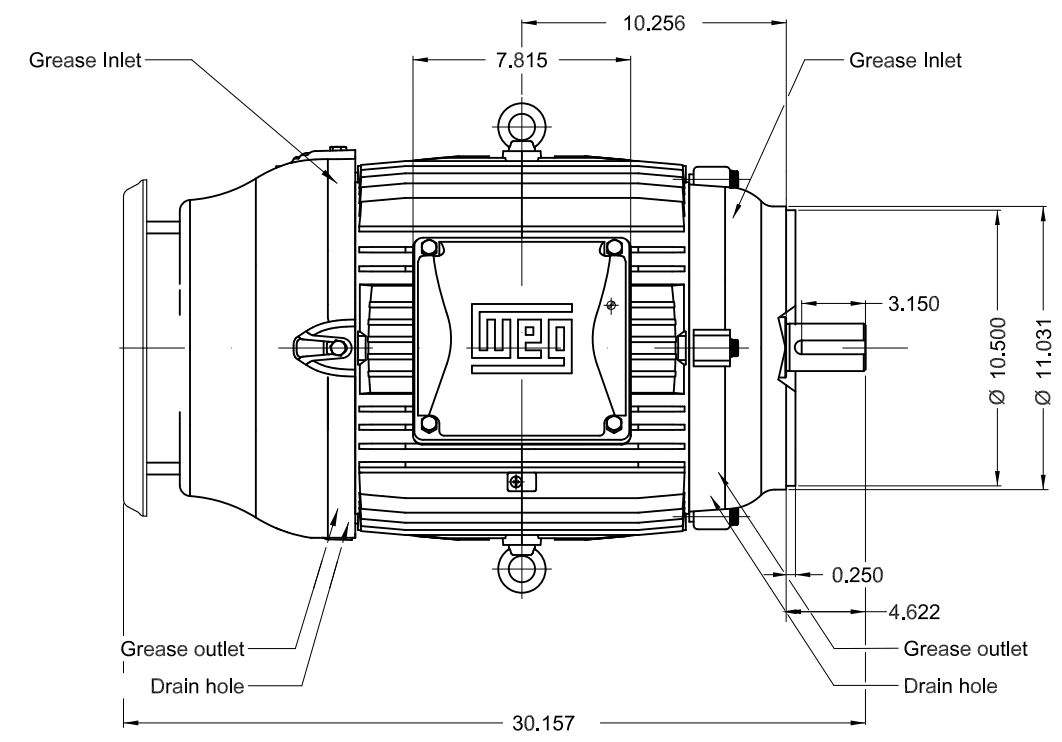
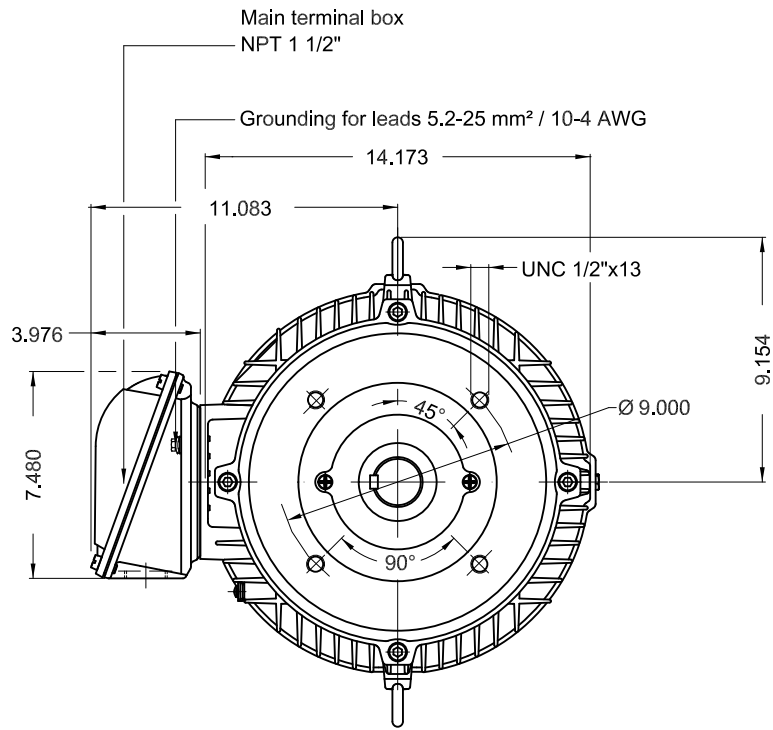


# DATA SHEET



## Three Phase Induction Motor - Squirrel Cage

Customer		: Galco Industrial Electronics			
Product line		: W22 NEMA Premium Efficiency Three-Phase		Product code : 11625694	
				Catalog # : 03018ET3ER286TC-W22	
Frame		: 286TC		Locked rotor time	
Output		: 30 HP (22 kW)		: 36s (cold) 20s (hot)	
Poles		: 4		Temperature rise	
Frequency		: 60 Hz		: 80 K	
Rated voltage		: 230/460 V		Duty cycle	
Rated current		: 70.2/35.1 A		: Cont.(S1)	
L. R. Amperes		: 428/214 A		Ambient temperature	
LRC		: 6.1x(Code G)		: -20°C to +40°C	
No load current		: 26.0/13.0 A		Altitude	
Rated speed		: 1765 rpm		: 1000 m.a.s.l.	
Slip		: 1.94 %		Protection degree	
Rated torque		: 12.3 kgfm		: IP55	
Locked rotor torque		: 240 %		Cooling method	
Breakdown torque		: 240 %		: IC411 - TEFC	
Insulation class		: F		Mounting	
Service factor		: 1.25		: W-6	
Moment of inertia (J)		: 0.2467 kgm <sup>2</sup>		Rotation <sup>1</sup>	
Design		: B		: Both (CW and CCW)	
				Noise level <sup>2</sup>	
				: 63.0 dB(A)	
				Starting method	
				: Direct On Line	
				Approx. weight <sup>3</sup>	
				: 206 kg	
Output		25%	50%	75%	100%
Efficiency (%)		92.3	93.0	93.0	93.6
Power Factor		0.46	0.70	0.80	0.84
		Foundation loads			
		Max. traction : 409 kgf			
		Max. compression : 615 kgf			
		<u>Drive end</u>		<u>Non drive end</u>	
Bearing type		: 6311 C3		6211 C3	
Sealing		: V'Ring		V'Ring	
Lubrication interval		: 15000 h		17000 h	
Lubricant amount		: 18 g		11 g	
Lubricant type		: Mobil Polyrex EM			
Notes					
USABLE @208V 77.6A SF 1.15 SFA 89.3A					
This revision replaces and cancel the previous one, which must be eliminated.			These are average values based on tests with sinusoidal power supply, subject to the tolerances stipulated in NEMA MG-1.		
(1) Looking the motor from the shaft end.					
(2) Measured at 1m and with tolerance of +3dB(A).					
(3) Approximate weight subject to changes after manufacturing process.					
(4) At 100% of full load.					
Rev.	Changes Summary			Performed	Checked
Performed by					
Checked by				Page	Revision
Date	21/08/2020			1 / 1	



Color RAL 5009  
 Painting plan 203A  
 Mounting V18

30 HP 04 Poles 60Hz A

ECM	LOC	SUMMARY OF MODIFICATIONS	EXECUTED	CHECKED	RELEASED	DATE	VER
EXECUTED	PIRWBUSER	THREE PHASE W22 MOTOR - NEMA PREMIUM EFF FRAME 286TC IP55 TEFC					
CHECKED							
RELEASED							
REL DT.							

**PREVIEW**  
 WDD



SHEET 1 / 1

MODEL 03018ET3ER286TC-W22  
MADE IN BRAZIL  
11625694



Inverter Duty Motor  
Severe Duty



FOR SAFE AREA  
MOD.TE1BFOXON

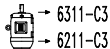
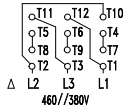
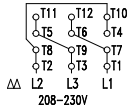


For 60Hz: Class I, Div 2, Gr. A, B, C and D - T3  
Class I, Zone 2, IIC - T3

Class II, Div 2, Gr. F and G - T4

For 60Hz use on PWM, Gr. A, B, C, D and F,  
VT 1000:1, CT 20:1, 1.0SF, T3A

PH 3	FR 286TC	HP(kW) 30.0(22.0)		Hz 60	
V 230/460		A 70.2/35.1		RPM 1765	DES B
NEMA NOM EFF 93.6 %		INS. CL. F ΔT 80 K		IP55	
ENCL TEFC		DUTY CONT.		AMB. 40°C	
CODE G	PF 0.84	SF 1.25	SFA 87.8/43.9		
USABLE @208V 77.6 A		SF 1.15	SFA 89.2		
30HP 22kW 50Hz 380V 43.1A 1445RPM SF1.00 EFF 90.2% (IE1)				ALT 1000	m.a.s.l.



MOBIL POLYREX EM  
18 g 15000 h

ALT 1000 m.a.s.l. 454 Lbs